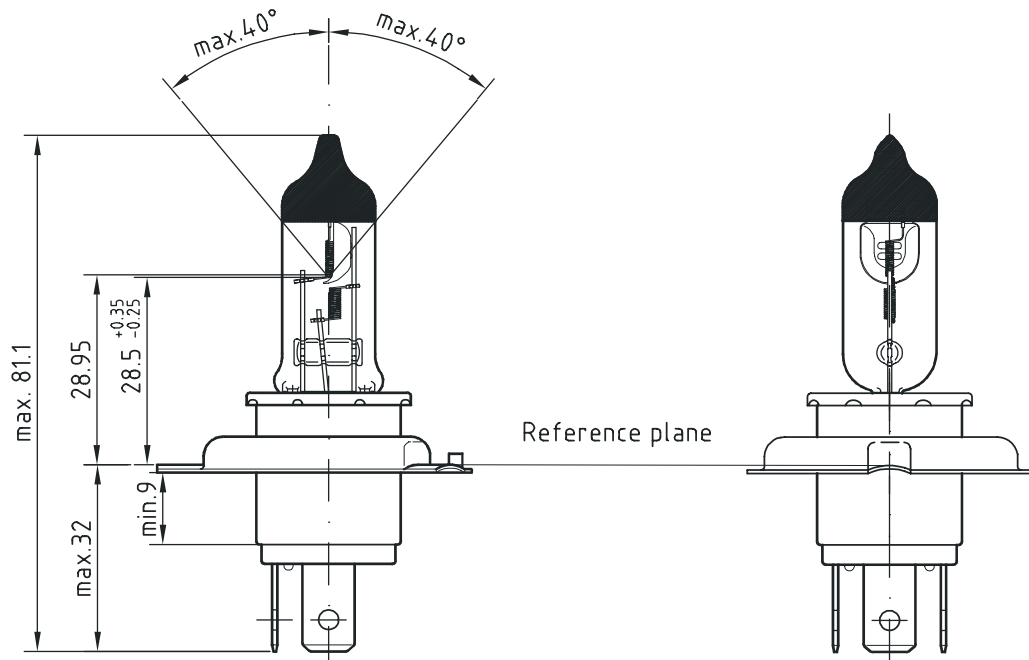
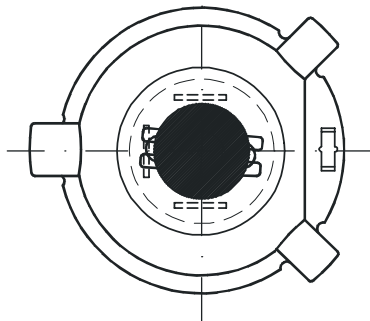


12V 100/90W



all dimensions in mm



Halogen Bulb	
12V 100/90W	
Cap: ¹⁾	P43t-38
Type:	12569
ECE	none
DOT	none
Code No.	9239 161 171..

Made in Germany, Aachen

1) according to IEC 61-1 sheet 7004-39-5

© N.V. PHILIPS Electronics. All rights are reserved.
Reproduction in whole or in parts is prohibited
without the written consent of the copyright owner.

Technical data		
Test voltage		13,2 V
Power	DBF	100 W max.
	PBF	90 W max.
Luminous flux	DBF	2900 lm ± 15
	PBF	1700 lm ± 15
Lumen maintenance	DBF	85 % min.
	PBF	85 % min.

Rated life at	13,2 V
- characteristic Tc	100 h min.
- B3	40 h min.

Maximum operating temperature:	800 °C max. bulb 400 °C max. pinch
Operating position:	horizontal