



GE Automotive Lighting

Arcstream™ D2S

DESIGNED FOR WORLD CLASS PERFORMANCE

Product Information

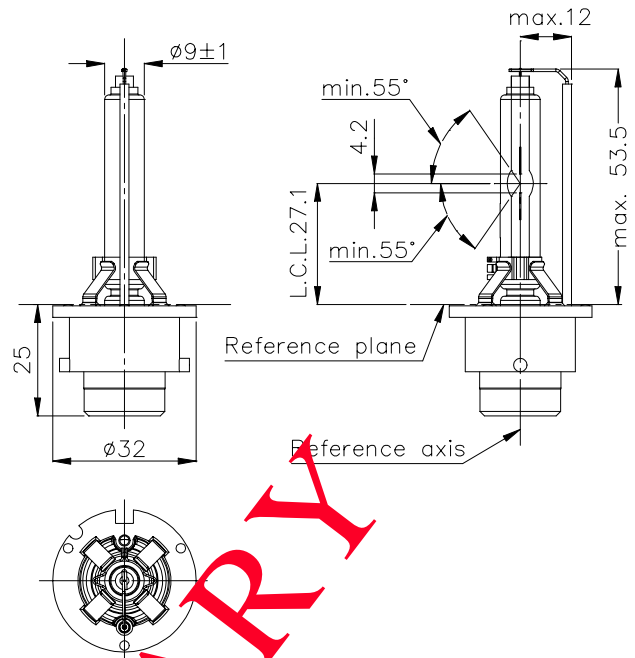
Product Code	XXXXXXXXXX
ANSI Code	XXXXXXXXXX
ECE R99 Type	D2S
Beam Application	Low Beam/ High Beam

Physical Characteristics

Bulb Material	Quartz
Outer Shroud Material	UV-Stop Quartz
Nominal Bulb Diameter (mm)	9.0
Shroud Black Stripe	No
Base (Cap)	P32d-2
Base Color	Black
Arc Orientation	Axial
Nominal Arc Length (mm)	4.2
Nominal Arc Diameter (mm)	1.1
Nominal Arc Bending (mm)	0.5

Electrical and Photometrical Characteristics *

Lamp Power (Watts)	35
Lamp Voltage (Volts)	85
Luminous Flux # (Lumens)	3200
Color coordinates	
x (CIE 1931)	0.380
y (CIE 1931)	0.390
Color Temperature (K)	4100
Lumen Maintenance @ 1500 hrs (%)	75
Life**(Hrs.) @ 13.5 Volts on Ballast	
B3	1200
B50	2560
B63	2800



GE
xxx D2S (E1) xxx
XXXXXXXXXX

Related Regulations/Standards

ECE R37, ECE R99, FMVSS No.108,
IEC 60810, IEC 60061, SAE J2009

* Lamps are to be operated on electronic ballast approved and specified by lamp manufacturer

** Anticipated values based upon laboratory samples

GE Worldwide Automotive Lighting

North America

GE Automotive Lighting
P.O. Box 5011
Southfield, Michigan 48086
Phone: 248-351-8000
Fax: 248-351-8069

Europe

GE Lighting, Tungram Rt.
H-1430, Budapest
Váci ut 77
Hungary
Phone: 361-169-2800
Fax: 361-169-2868

Japan

Hitachi GE Lighting Ltd.
Suda-Cho Sahida Bldg.
5-2, Kanda Suda-cho 2-chome
Tokyo 101, Japan
Phone: 81-03 5296-2914
Fax: 81-03 5296-2986

Worldwide

GE Automotive Lighting
1975 Noble Road
Nela Park
Cleveland, Ohio 44112
Phone: 216-266-2184
Fax: 216-266-2081